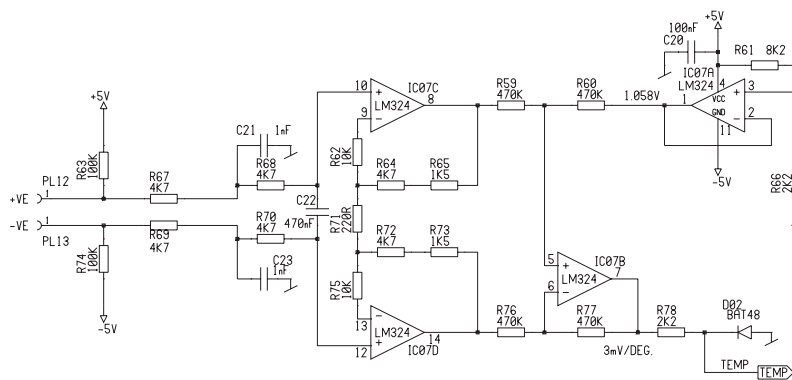


PRODUCT
DIGITAL SMOKE CONTROL PCB (SMD)

NAME
204015A SCH

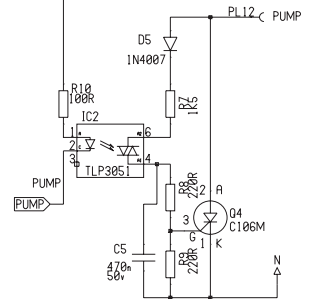
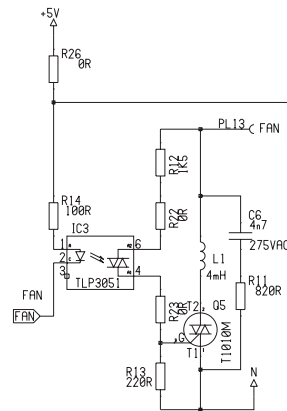
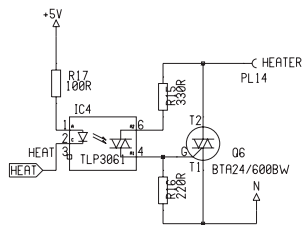
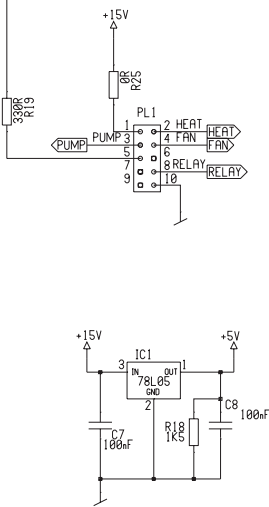
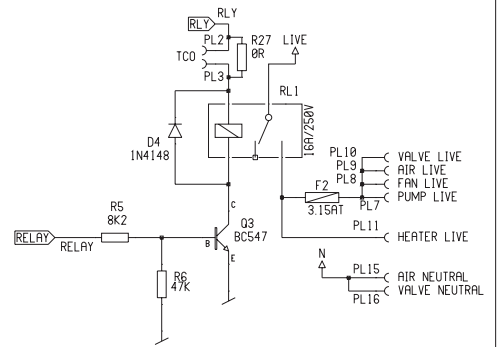
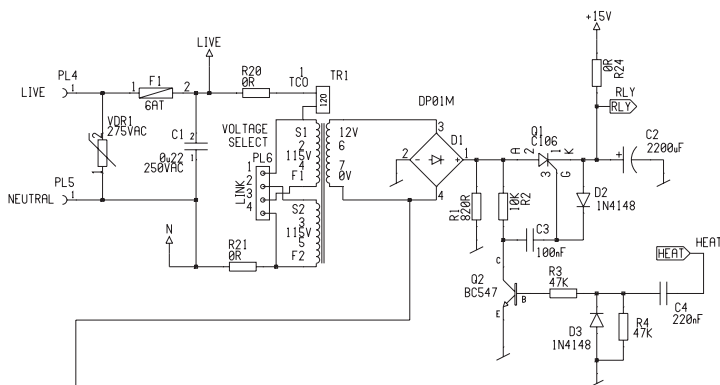
ENG. MARTIN MANUFACTURING (UK) PLC

REVISION A	PAGE 1 OF 2
DRAWN BY NJS	
DATE 17/03/03	TIME 14:40

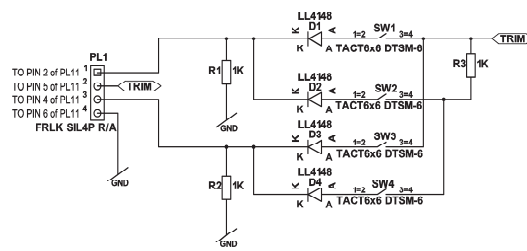


THERMOCOUPLE AMPLIFIER

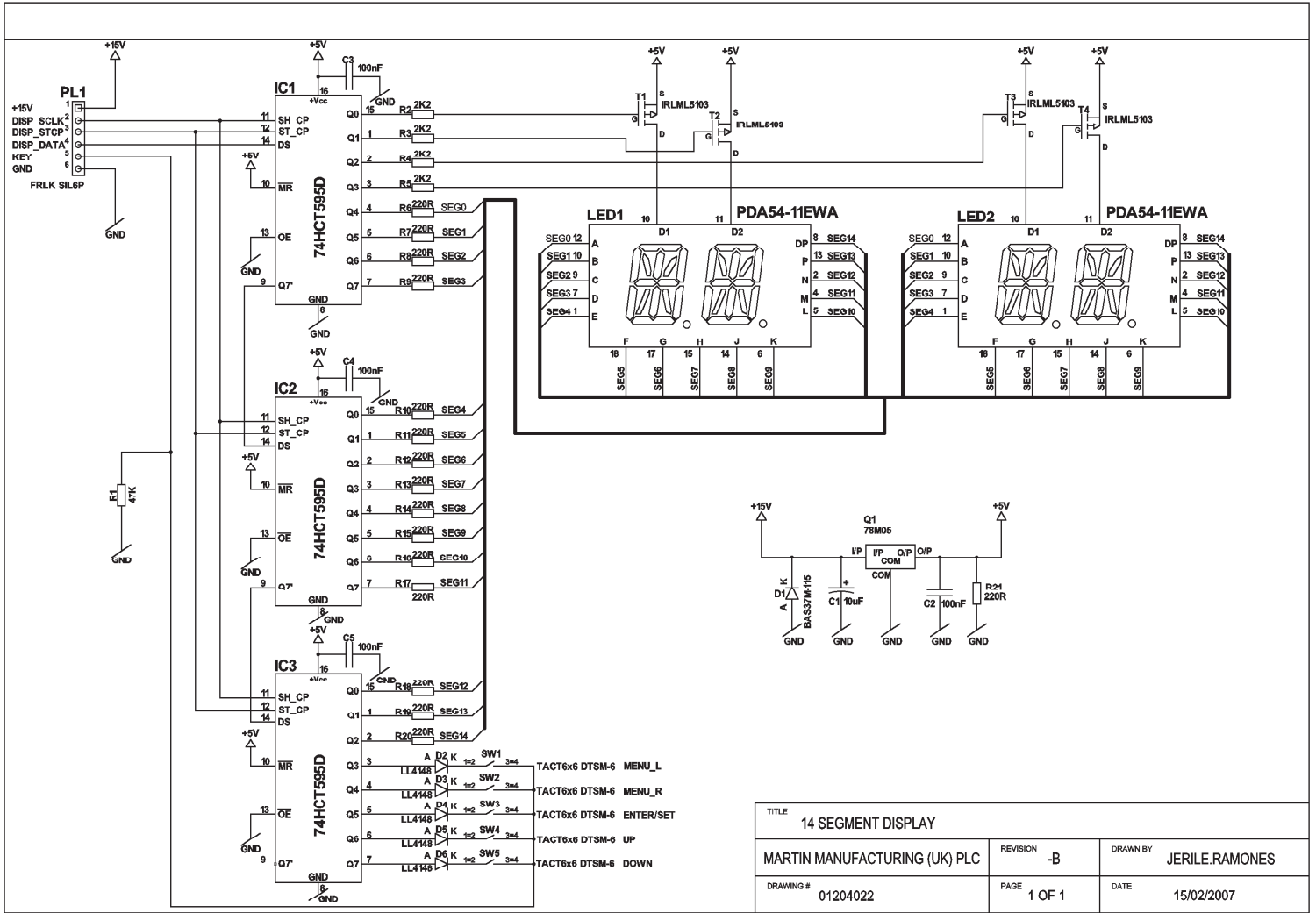
PRODUCT		ENG. MARTIN MANUFACTURING (UK) PLC	
DIGITAL SMOKE CONTROL PCB (SMD)		REVISION A	PAGE 2 OF 2
NAME		DRAWN BY NJS	
204015A.SCH		DATE 17/03/03	TIME 14:42



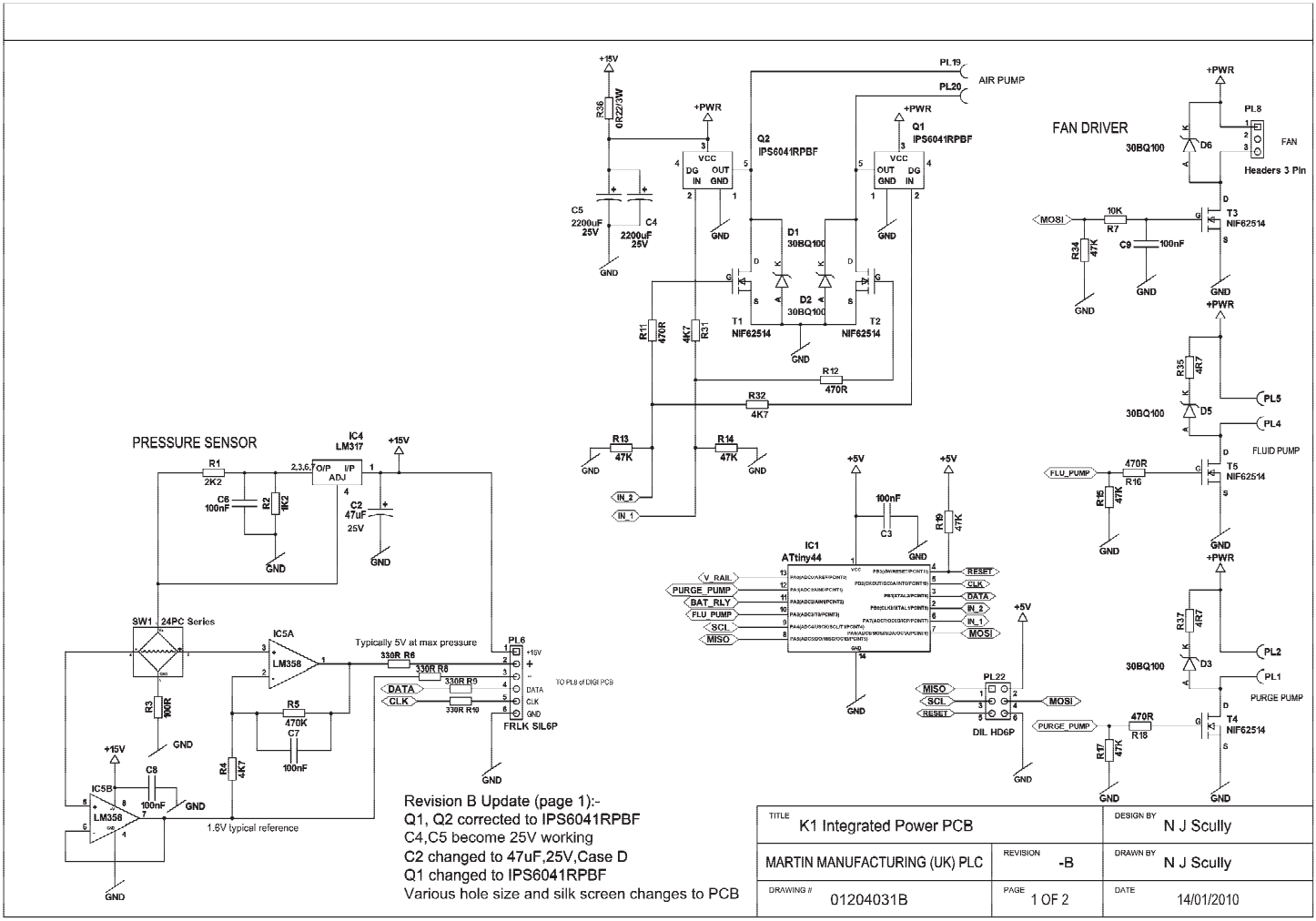
PRODUCT	MAGNUM HAZER		
NAME	MH_PWR.SCH		
ENG.	MARTIN MANUFACTURING (UK) PLC		
REVISION	A	PAGE	1 OF 1
DRAWN BY	NJS		
DATE	29/8/2	TIME	9:57



TITLE JEM K1 SWITCHES		
MARTIN MANUFACTURING (UK) PLC	REVISION A	DRAWN BY JERILE RAMONES
DRAWING # 01204027	PAGE 1 OF 1	DATE 01/08/2008

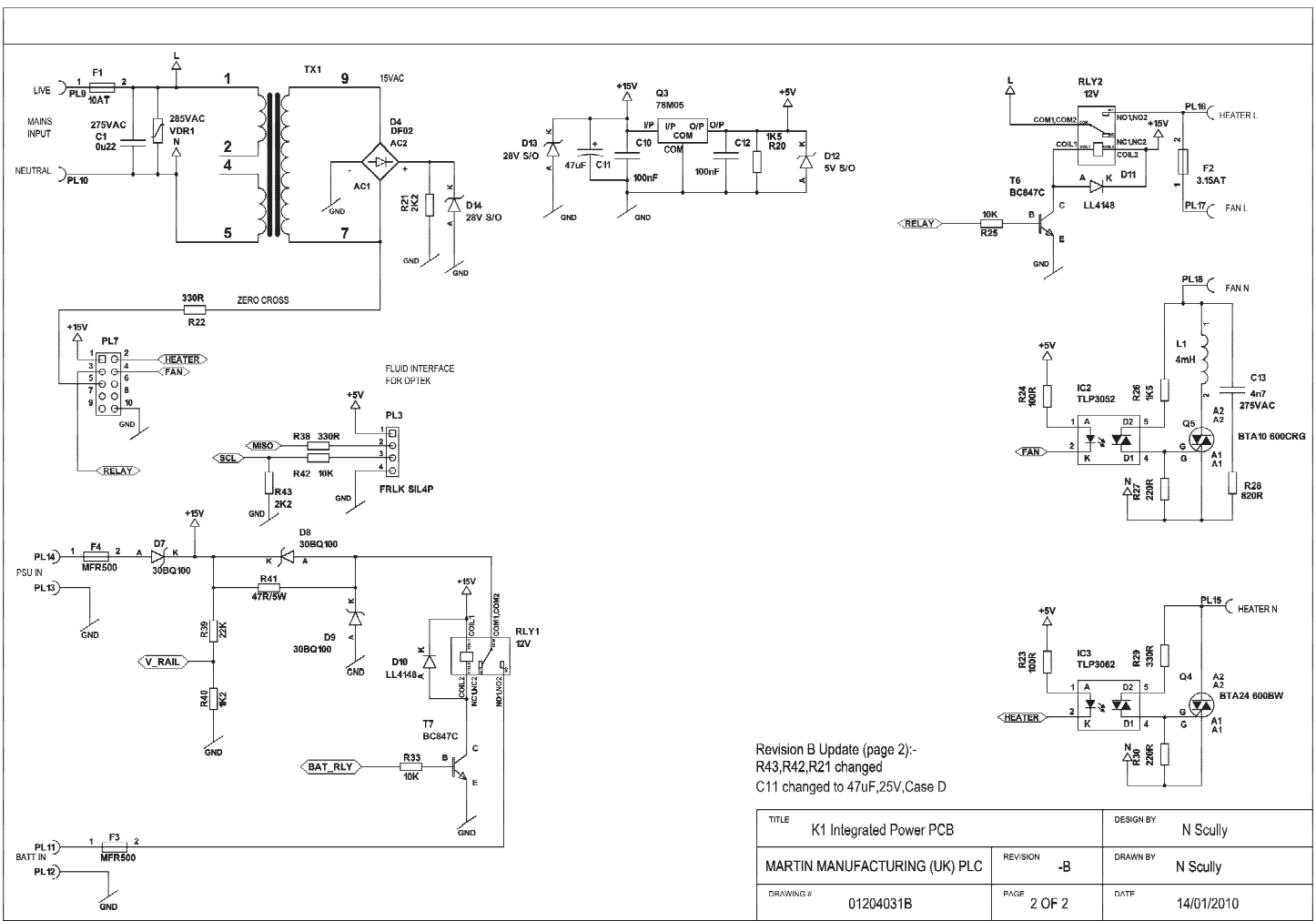


TITLE 14 SEGMENT DISPLAY		
MARTIN MANUFACTURING (UK) PLC	REVISION -B	DRAWN BY JERILE.RAMONES
DRAWING # 01204022	PAGE 1 OF 1	DATE 15/02/2007



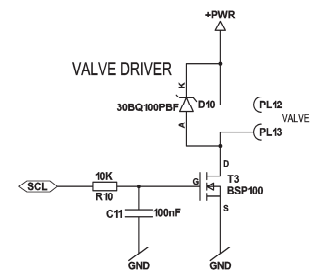
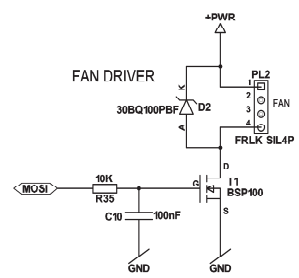
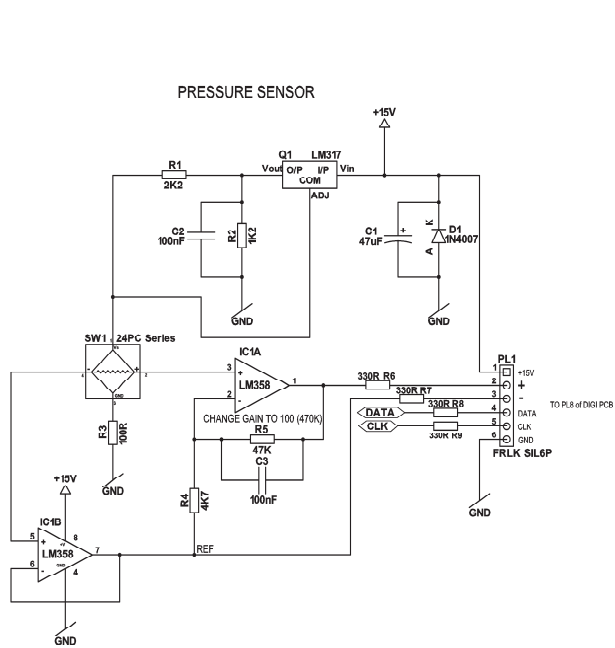
Revision B Update (page 1):-
 Q1, Q2 corrected to IPS6041RPBF
 C4, C5 become 25V working
 C2 changed to 47uF, 25V, Case D
 Q1 changed to IPS6041RPBF
 Various hole size and silk screen changes to PCB

TITLE K1 Integrated Power PCB		DESIGN BY N J Scully
MARTIN MANUFACTURING (UK) PLC	REVISION -B	DRAWN BY N J Scully
DRAWING # 01204031B	PAGE 1 OF 2	DATE 14/01/2010

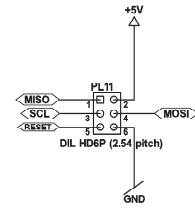
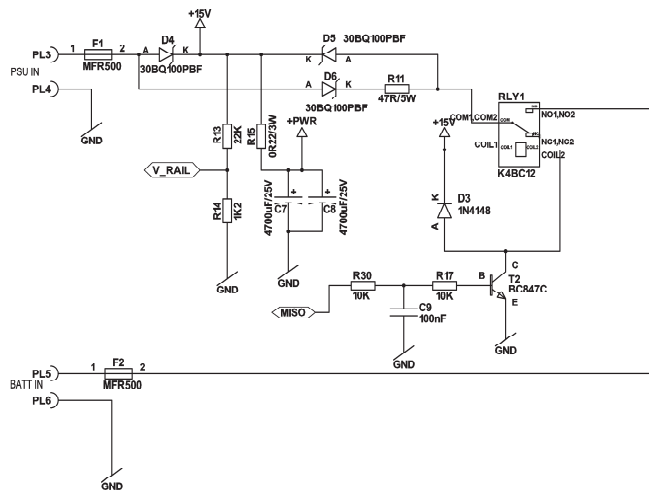
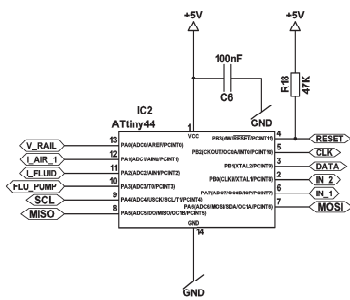
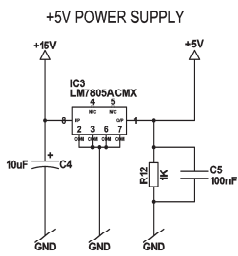


Revision B Update (page 2):-
 R43,R42,R21 changed
 C11 changed to 47uF,25V,Case D

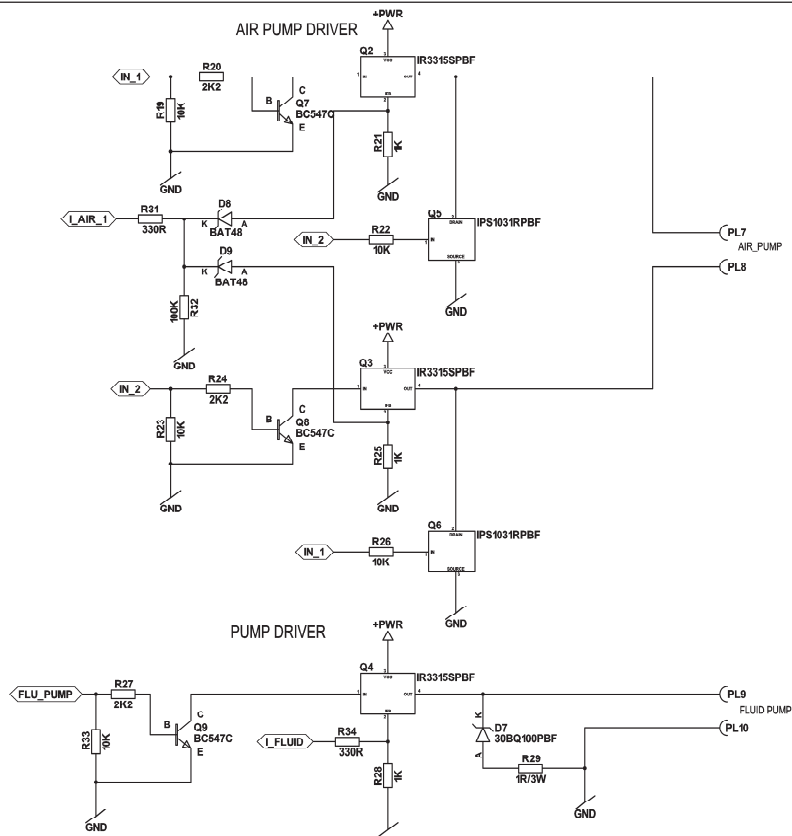
TITLE	K1 Integrated Power PCB	DESIGN BY	N Scully
MARTIN MANUFACTURING (UK) PLC	REVISION -B	DRAWN BY	N Scully
DRAWING #	01204031B	PAGE	2 OF 2
		DATE	14/01/2010



TITLE JEM K1 HAZER Digi Interface		
MARTIN MANUFACTURING (UK) PLC	REVISION A	DRAWN BY JERILE RAMONES
DRAWING # 01204026	PAGE 1 OF 3	DATE 05/11/2008



TITLE JEM K1 HAZER Digi Interface		
MARTIN MANUFACTURING (UK) PLC	REVISION A	DRAWN BY JERILE RAMONES
DRAWING # 01204026	PAGE 2 OF 3	DATE 05/11/2008



TITLE JEM K1 HAZER Digi Interface		
MARTIN MANUFACTURING (UK) PLC	REVISION A	DRAWN BY JERILE RAMONES
DRAWING # 01204026	PAGE 3 OF 3	DATE 05/11/2008